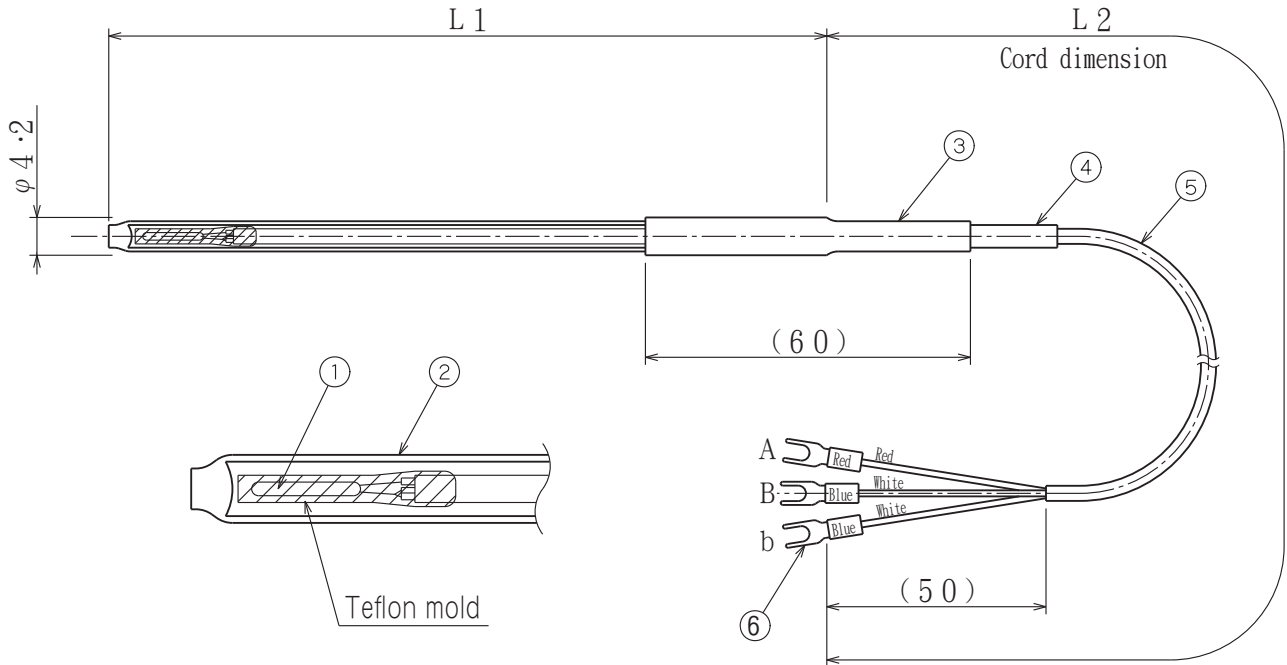


# Teflon pipe (TH type)

## ◆ Features

- The internal cord of the Teflon tube is a cabtire cord.
- The sleeve unit on the TE type has been removed, reducing connection points to prevent corrosion to connection points after chemical penetration.

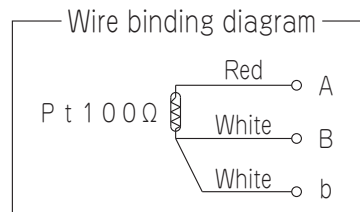
## ◆ External dimensions diagram



## ◆ Model architecture

### TH-PT-L1 x L2

\* L1 and L2 are both measured in units of mm.  
Note that L1 is made at the unit of 100mm.



## 1. Main specifications

①	Probe	Platinum resistance temperature sensor Pt100Ω, B class, 3-wire type, prescribed current: 2mA JIS C 1604
②	Teflon tube	FEP Teflon tube: External diameter 4.2mm x internal diameter 3.2mm
③	Contraction tube	Silicon contraction tube
④	Tube	Glass tube
⑤	Cord	Teflon coated cabtire cord FEP, 7/0.16 x 3C, heat resistance: 200°C, external diameter: 2.2mm
⑥	Terminal	Insulated Y type crimped terminal, * Round terminals and stripped back core wires also available.
	Work Temp. range	0 to 180°C, * Please use in location without heat cycle.

- Class A can be made using JPt100.
- Products also can be made using the PFA Teflon tube material.